

A

A

B

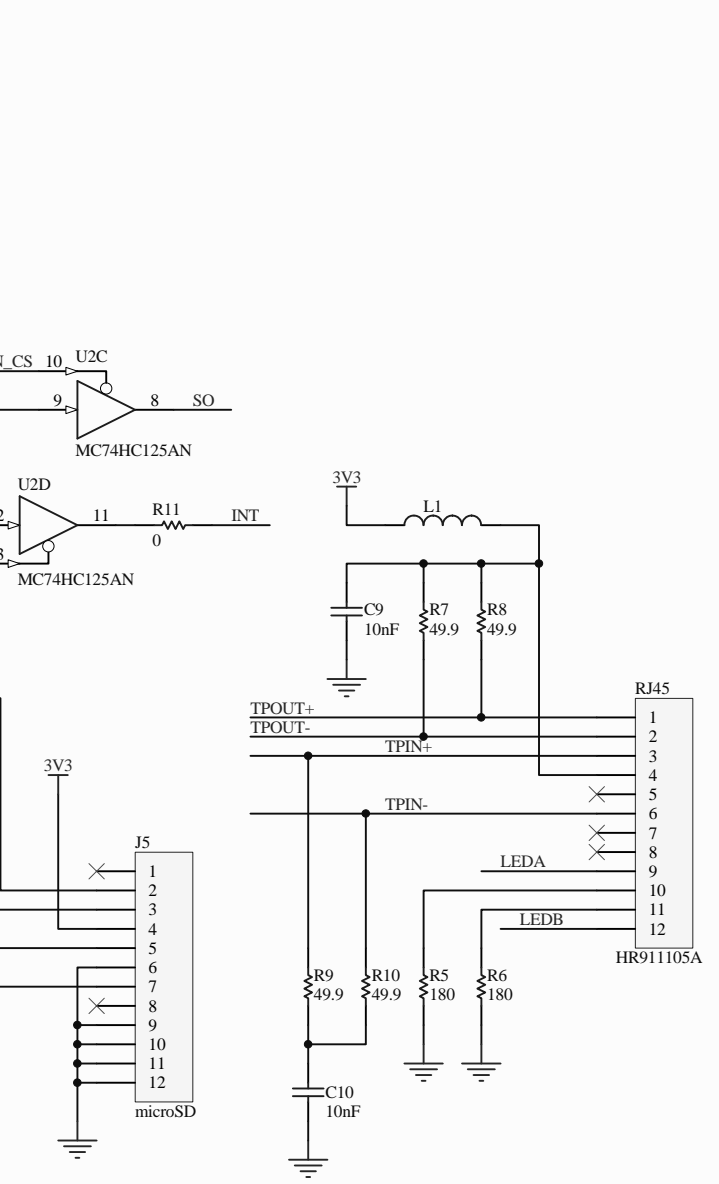
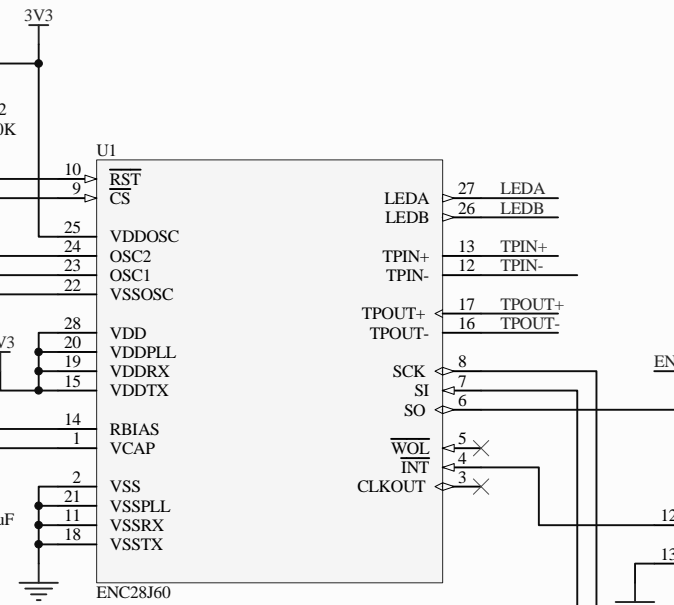
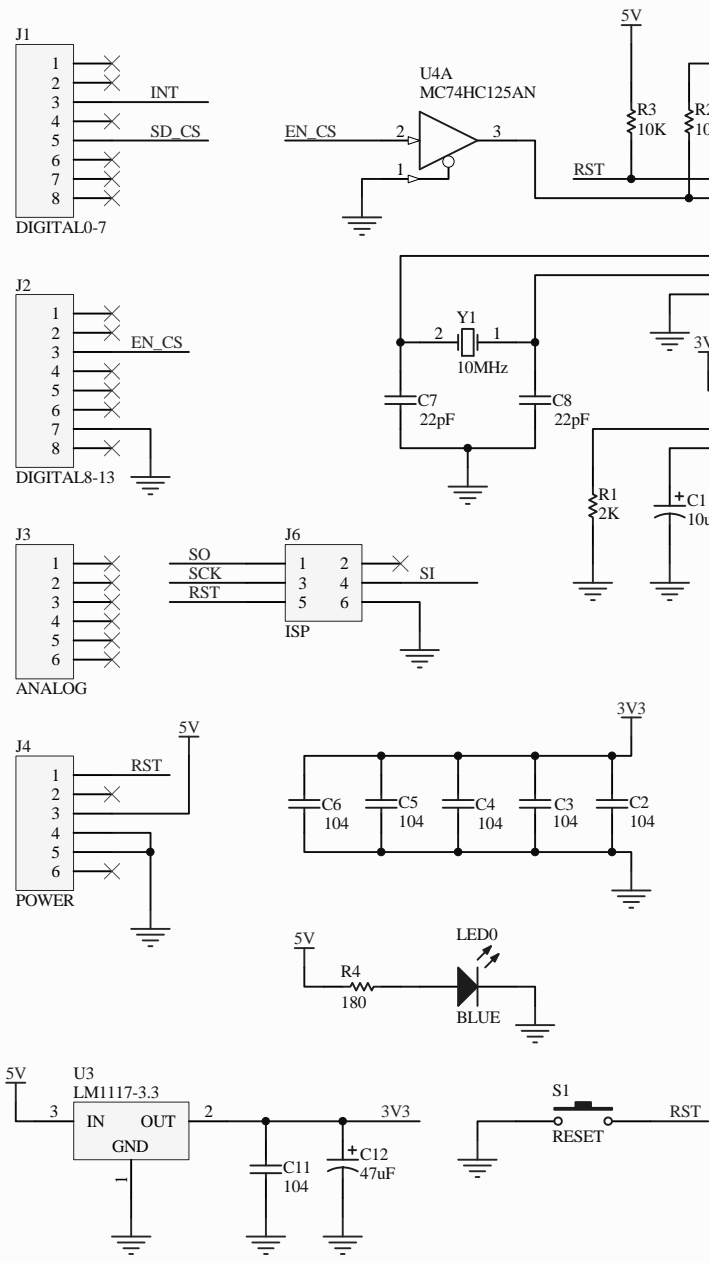
B

C

C

D

D



Title			
ENC28J60 Ethernet Shield for ARDUINO UNO / Duemilanove			
Size	Number	Revision	
A4	www.ekitszone.com	1.00	
Date:	8/11/2011	Sheet of	
File:	C:\ENC28J60.SCHDOC	Drawn By:	KENNY WONG